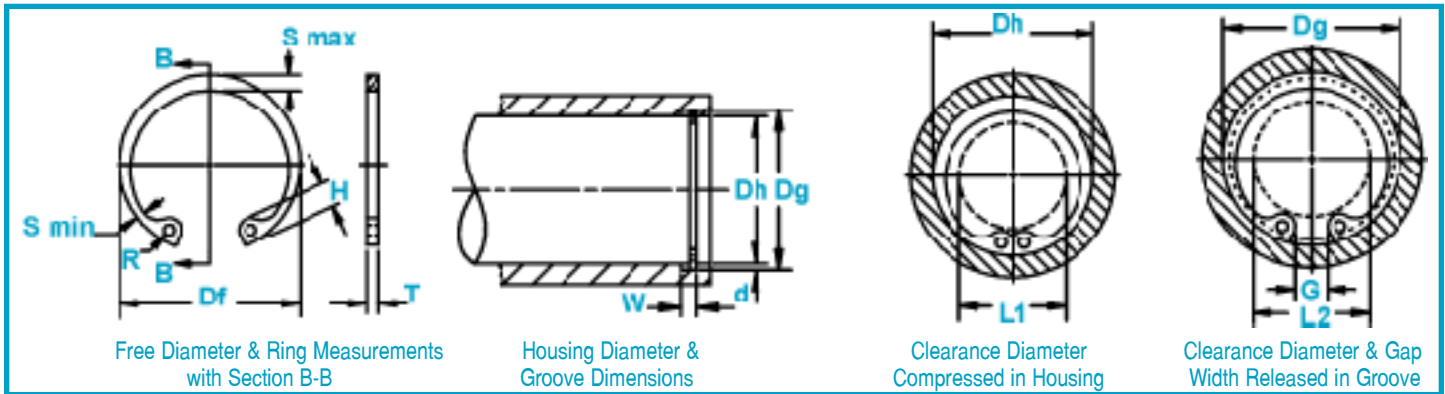




HO Housing Rings

Axially Assembled, Internal

Once installed in the groove of a housing/bore, the shoulder holds an assembly in place.



RING NO.	HOUSING DIAMETER			GROOVE SIZE			RING SIZE & WEIGHT				CLEAR. DIA.			THRUST LD. (lbs.)			
				DIAMETER		WIDTH	DEPTH	Free Diameter		Thickness***		Weight. Per 1000 Pcs.	Compressed in housing	Released in groove	Sqr. corner abutment		
	Dh DEC	Dh FRAC	Dh mm	Dg	Tol.	W	Tol.	d	Df	Tol.	T				Tol.	Lbs.	L1
HO-354	3.543	-	90.0	3.755		.120		.106	3.936		.109		72.0	2.83	3.04	55419	31800
HO-354	3.562	3-9/16	90.5	3.776		.120		.107	3.936	±.055	.109		72.0	2.85	3.06	55419	31800
HO-362	3.625	3-5/8	92.1	3.841		.120		.108	4.024		.109		73.0	2.91	3.12	56739	33200
HO-375	3.740	-	95.0	3.964	±.006	.120	+ .005	.112	4.157		.109		78.0	3.02	3.24	58566	35600
HO-375	3.750	3-3/4	95.2	3.974	.006*	.120	- .000	.112	4.157		.109		78.0	3.03	3.25	58566	35600
HO-387	3.875	3-7/8	98.4	4.107		.120		.116	4.291		.109		87.0	3.11	3.34	60494	38000
HO-393	3.938	3-15/16	100.0	4.174		.120		.118	4.358		.109		88.0	3.17	3.40	61611	39300
HO-400	4.000	4	101.6	4.240		.120		.120	4.424		.109	±.003	93.0	3.23	3.47	62626	40700
HO-412	4.125	4-1/8	104.8	4.365		.120		.120	4.558		.109		97.0	3.36	3.60	64554	42000
HO-425	4.250	4-1/4	108.0	4.490		.120		.120	4.691		.109		101.0	3.48	3.72	66483	43200
HO-433	4.331	-	110.0	4.571		.120		.120	4.756		.109		105.0	3.50	3.74	67599	44500
HO-450	4.500	4-1/2	114.3	4.740		.120		.120	4.940		.109		111.0	3.66	3.90	70340	45800
HO-462	4.625	4-5/8	117.5	4.865		.120		.120	5.076		.109		117.0	3.79	4.03	72370	47000
HO-475	4.724	-	120.0	4.969		.120		.122	5.213	±.065	.109		124.0	3.88	4.12	74298	49000
HO-475	4.750	4-3/4	120.6	4.995		.120		.122	5.213		.109		124.0	3.90	4.14	74298	49000
HO-500	5.000	5	127.0	5.260		.120		.130	5.485		.109		136.0	4.08	4.34	78155	55000
HO-525	5.250	5-1/4	133.3	5.520		.139		.135	5.770		.125	±.004	174.0	4.35	4.62	94091	60000
HO-537	5.375	5-3/8	136.5	5.650	±.007	.139	+ .006	.135	5.910		.125		179.0	4.45	4.72	96324	61500
HO-550	5.500	5-1/2	139.7	5.770	.006*	.139	- .000	.135	6.066		.125		183.0	4.57	4.84	98658	63300
HO-575	5.750	5-3/4	146.0	6.020		.139		.135	6.336		.125		192.0	4.82	5.09	103124	65900
HO-600	6.000	6	152.4	6.270		.139		.135	6.620		.125		202.1	5.07	5.34	107489	68600
HO-625	6.250	6-1/4	158.7	6.530		.174		.140	6.895		.156	±.080	266.0	5.24	5.52	139766	74100
HO-650	6.500	6-1/2	165.1	6.790		.174		.145	7.170		.156		281.0	5.49	5.78	145450	79900
HO-662	6.625	6-5/8	168.3	6.925		.174		.150	7.308		.156		305.0	5.60	5.90	148190	84200
HO-675	6.750	6-3/4	171.4	7.055	±.008	.174	+ .008	.152	7.445		.156		325.0	5.68	5.98	151032	87000
HO-700	7.000	7	177.8	7.315	.006*	.174	- .000	.157	7.720		.156		344.0	5.91	6.22	156615	93100
HO-725	7.250	7-1/4	184.1	7.575		.209		.162	7.995		.187		428.0	6.11	6.43	194373	99600
HO-750	7.500	7-1/2	190.5	7.840		.209		.170	8.270		.187		485.0	6.36	6.70	201173	108100
HO-775	7.750	7-3/4	196.8	8.100		.209		.175	8.545		.187		520.0	6.58	6.93	207872	115000
HO-800	8.000	8	203.2	8.360		.209		.180	8.820	±.090	.187	±.005	555.0	6.83	7.19	214571	122000
HO-825	8.250	8-1/4	209.5	8.620		.209		.185	9.095		.187		603.0	7.04	7.41	221270	129300
HO-850	8.500	8-1/2	215.9	8.880		.209		.190	9.285		.187		634.0	7.29	7.67	227969	136900
HO-875	8.750	8-3/4	222.2	9.145		.209		.197	9.558		.187		653.0	7.38	7.77	233856	145500
HO-900	9.000	9	228.6	9.405		.209		.202	9.830		.187		732.0	7.63	8.03	241367	154100
HO-925	9.250	9-1/4	235.0	9.668		.209		.209	10.102		.187		767.0	7.88	8.30	248066	163600
HO-950	9.500	9-1/2	241.3	9.930		.209		.215	10.375		.187		803.0	7.98	8.41	254765	173100
HO-975	9.750	9-3/4	247.7	10.190		.209		.220	10.648		.187		833.0	8.23	8.67	261464	181900
HO-1000	10.000	10	254.0	10.450		.209		.225	10.920		.187		863.0	8.48	8.93	268163	190700

* F.I.M. (FULL INDICATOR MOVEMENT)- MAXIMUM ALLOWABLE DEVIATION OF CONCENTRICITY BETWEEN GROOVE & HOUSING.

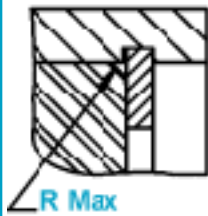
† BASED ON HOUSINGS/SHAFTS MADE OF COLD ROLLED STEEL. FOR AN EXPLANATION OF FORMULAS USED TO DERIVE THRUST LOAD AND OTHER PERFORMANCE DATA CONTACT THE ROTOR CLIP ENGINEERING DEPARTMENT.

***FOR PLATED RINGS ADD .002" TO THE LISTED MAXIMUM THICKNESS. MAXIMUM THICKNESS WILL BE A MINIMUM OF .0002" LESS THAN THE LISTED GROOVE WIDTH (W) MINIMUM.

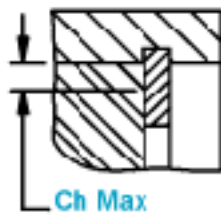
HARDNESS RANGES: STAINLESS STEEL RINGS (PH 15-7MO)

RING TYPE	SIZE RANGE	SCALE	ROCKWELL HARDNESS
HO	25&31	15N	82.5-86
	37-102	30N	63-69.5
	106+	C	44-51

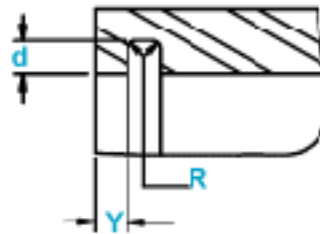
For technical assistance call 1-800-55-ROTOR



Allowable Corner Radius and Chamfer



Exploded Groove Profile & Edge Margin (Y)
Maximum bottom radii (R), .005 for ring sizes -25 thru -100; .010 for ring sizes 102 thru 1000



Alternate Lug Design
For Larger Sizes
(Manufacturer's Option)



Alternate Design
(Manufacturer's Option)

RING NO.	LUG HEIGHT		MAXIMUM SECTION		MINIMUM SECTION		HOLE DIAMETER		GAP WIDTH Ring in Groove	EDGE MARGIN	ALLOWABLE CORNER RADII & CHAMFERS		MAX. LOAD w/R max or h max. (lbs.)
	H	Tol.	S max	Tol.	S min	Tol.	R	Tol.			G Min	Y	
HO-354	.342		.292		.142		.125		.788	.318	.110	.088	12000
HO-354	.342		.292		.142		.125		.842	.321	.110	.088	12000
HO-362	.342		.299		.150		.125		.833	.324	.116	.093	12000
HO-375	.342		.309		.155		.125		.844	.336	.120	.096	12000
HO-375	.342		.309	±.008	.155	±.008	.125	+.015	.871	.336	.120	.096	12000
HO-387	.370		.319		.160		.125	-.002	.891	.348	.123	.098	12000
HO-393	.370		.324		.161		.125		.905	.354	.124	.099	12000
HO-400	.370		.330		.166		.125		.918	.360	.128	.102	12000
HO-412	.370	±.008	.330		.171		.125		.940	.360	.130	.104	12000
HO-425	.370		.335		.180		.125		.960	.360	.138	.110	12000
HO-433	.405		.343		.180		.156		1.000	.360	.142	.114	12000
HO-450	.405		.351		.181		.156		.980	.360	.146	.117	12000
HO-462	.405		.360		.183		.156		1.000	.360	.151	.121	12000
HO-475	.405		.370		.183		.156		.960	.366	.154	.123	12000
HO-475	.405		.370	±.009	.183	±.009	.156		1.030	.366	.154	.123	12000
HO-500	.435		.390		.186		.156		.970	.390	.158	.126	12000
HO-525	.435		.435		.198		.156		1.10	.405	.168	.134	15000
HO-537	.435		.435		.198		.156		1.12	.405	.168	.134	15000
HO-550	.435		.435		.198		.156		1.09	.405	.168	.134	15000
HO-575	.435		.435		.198		.156		1.11	.405	.168	.134	15000
HO-600	.435		.435		.198		.156		1.13	.405	.168	.134	15000
HO-625	.485		.485		.211		.187		1.16	.420	.177	.142	23000
HO-650	.485		.485		.219		.187		1.25	.435	.181	.145	23000
HO-662	.485		.485		.221		.187	+.020	1.28	.450	.183	.146	23000
HO-675	.530		.530		.224		.187	-.005	1.21	.456	.188	.150	23000
HO-700	.515		.515		.232		.187		1.26	.471	.196	.157	23000
HO-725	.545	±.010	.545		.238		.187		1.32	.486	.202	.162	34000
HO-750	.545		.545		.247		.187		1.39	.510	.208	.166	34000
HO-775	.560		.560		.255		.187		1.44	.525	.214	.171	34000
HO-800	.560		.560		.262		.187		1.50	.540	.220	.176	34000
HO-825	.580		.580	±.010	.270	±.010	.187		1.53	.555	.229	.183	34000
HO-850	.580		.580		.277		.187		1.71	.570	.235	.188	34000
HO-875	.660		.591		.286		.187		1.77	.591	.241	.193	34000
HO-900	.660		.609		.294		.187		1.83	.606	.249	.199	34000
HO-925	.660		.625		.299		.187		1.87	.627	.253	.202	34000
HO-950	.735		.642		.304		.187		1.91	.645	.258	.206	34000
HO-975	.735		.658		.309		.187		2.00	.660	.263	.210	34000
HO-1000	.735		.675		.315		.187		2.01	.675	.270	.216	34000

LARGER SIZES MAY BE AVAILABLE UPON REQUEST.

HARDNESS RANGES: CARBON STEEL RINGS (SAE 1060-1090)

RING TYPE	SIZE RANGE	SCALE	ROCKWELL HARDNESS
HO	25&31	15N	86-88
	37-51	30N	69.5-73
	56-77	30N	67.5-72
	81-102	30N	66-71
	106-347	C	47-52
	350-700	C	44-51
725-1000	C	40-47	

HARDNESS RANGES: BERYLLIUM COPPER RINGS

RING TYPE	SIZE RANGE	SCALE	ROCKWELL HARDNESS
HO	25&31	15N	77-82
	37-102	30N	54-62
	106+	C	34-43