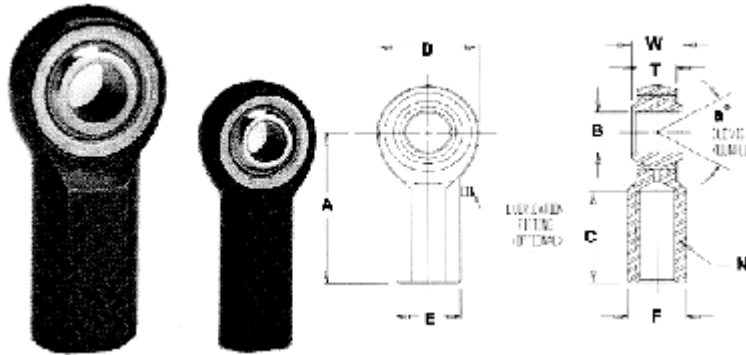


ALJF / ALJFL

3-PIECE, ALUMINUM SERIES / PTFE LINERS AVAILABLE



MATERIALS

BALL

52100 Steel
Rc 56 MIN.
HARD CHROME
PLATED

RACE

STEEL ALLOY
HEAT TREATED
ZINC PLATED
CHROMATE
TREATED

BODY

ALUMINUM
7075-T6
HARD ANODIZED RED

FEMALE ROD ENDS		B DIA.	D DIA.	W WIDTH	T WIDTH	BALL DIA.	A LGTH	N THD.	C LGTH	E DIA.	F FLAT	a MIS. ANGLE	ULT. STATIC RADIAL LOAD (lbs)	APPROX. WEIGHT (lbs)	
RIGHT HAND PART NO.	LEFT HAND PART NO.	+0.0015 -0.0005	+0.010 -0.010	+0.000 -0.005	+0.000 -0.005	REF.	+0.015 -0.015	UNF 2B	+0.062 -0.031	+0.010 -0.010	+0.010 -0.010	REF.			
ALJF3	ALJFL3	.1900	.625	.312	.250	.437	1.062	10-32	.500	.406	.312	13	1,360	.022	
ALJF4	ALJFL4	.2500	.750	.375	.281	.500	1.312	1/4-28	.687	.469	.375	16	2,592	.034	
ALJF5	ALJFL5	.3125	.875	.437	.344	.625	1.375	5/16-24	.687	.500	.437	14	2,890	.050	
ALJF6	ALJFL6	.3750	1.000	.500	.406	.719	1.625	3/8-24	.812	.687	.562	12	3,952	.088	
Notes:		For studs add "Y" to suffix						EXAMPLE: ALJF5Y							
		For teflon liner add "T" to suffix						EXAMPLE: ALJF4T							