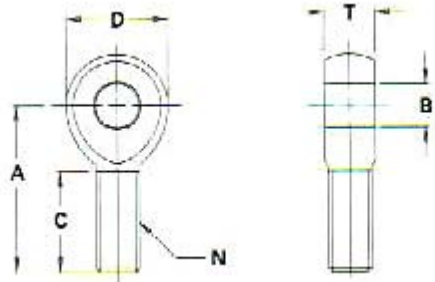


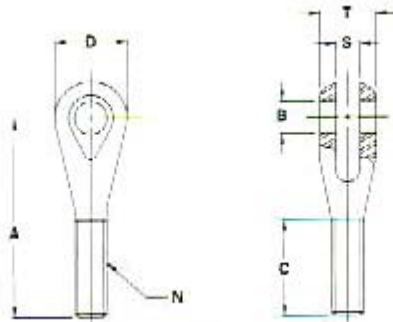
RD / CV
SOLID RODENDS AND CLEVIS
SOLID RODENDS



MATERIALS
 LOW CARBON STEEL

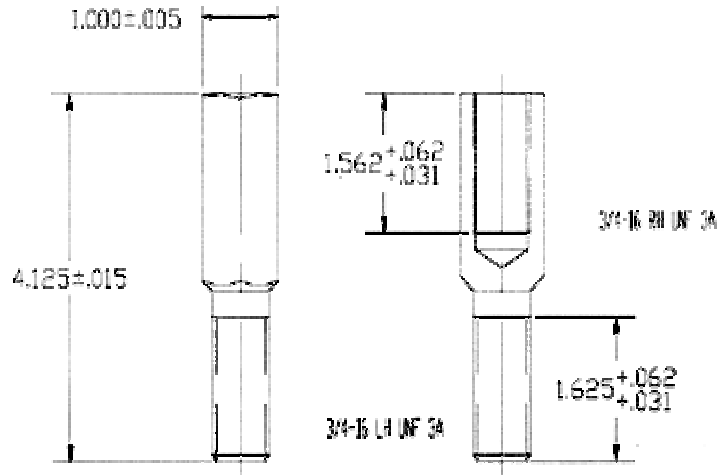
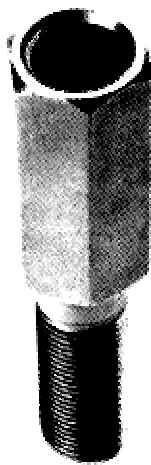
PART NO.	BORE x THD.	B DIA.	D DIA.	T. WIDTH	A LGTH.	C LGTH.	N THD.	ULT. RADIAL STATIC LOAD
	REF.	+0.0025 -.0005	+0.010 -.010	+0.005 -.005	+0.015 -.015	0.031	UNF 3A	(LBS.)
RD1	5/8 x 5/8	.6250	1.500	.750	2.625	1.625	5/8-18	16,600
RD2	5/8 x 3/4	.6250	1.750	.875	2.875	1.750	3/4-16	18,500
RD3	3/4 x 3/4	.7500	1.750	.875	2.875	1.750	3/4-16	18,500
RD4	1/2 x 1/2	.5000	1.312	.625	2.437	1.500	1/2-20	12,100
RD5	1/2 x 3/4	.5000	1.750	.875	2.875	1.750	3/4-16	18,500

CLEVIS



MATERIALS
 LOW CARBON STEEL

PART NO.	BORE x THD.	B DIA.	D DIA.	T. WIDTH	A LGTH.	C LGTH.	S SLOT	N THD.
	REF.	+0.0025 -.0005	+0.010 -.010	+0.005 -.005	+0.015 -.015	+0.062 -.031	+0.005 -.005	UNF 3A
CV1	3/8 x 5/8	.3750	1.125	.825	3.375	2.000	.375	5/8-18
CV2	1/2 x 5/8	.5000	1.125	.825	3.375	2.000	.375	5/8-18
CV3	3/8 x 3/4	.3750	1.125	.825	3.375	2.000	.375	3/4-16
CV4	1/2 x 3/4	.5000	1.125	.825	3.375	2.000	.375	3/4-16



MATERIALS
LOW CARBON STEEL
ZINC PLATE

ADJUSTER LADDER

Notes: For grease fittings add "Z" to suffix. Example: CF6MZ