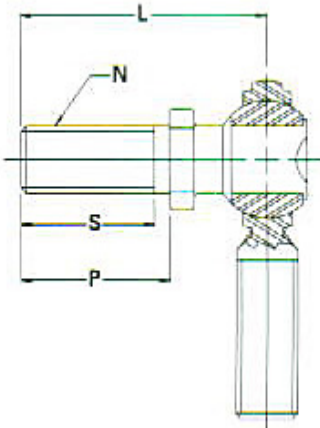


# STUDS

## STUDED ROD ENDS

### STUDED ROD ENDS



**NOTE:**

1. AVAILABLE ON ALL SERIES.
2. STUD MATERIAL: LOW CARBON STEEL, ZINC PLATED.
3. STUD MISALIGNMENT APPROX. +/-25 IN ANY DIRECTIONS.
4. TO SPECIFY RIGHT HAND STUD, ADD SUFFIX "Y" TO PART NUMBER.  
**EXAMPLE:** CM6Y
5. TO SPECIFY LEFT HAND STUD, ADD SUFFIX "YL" TO PART NUMBER.  
**EXAMPLE:** CM6YL
6. FOR LOAD RATINGS WITH STUDS, PLEASE CONTACT F.K. ENGINEERING DEPARTMENT.

ROD END PART SIZE	L LGTH.	P LGTH.	S LGTH	N THD.
		+0.015 -.015	REF.	MIN.
3	1.016	.500	.437	10-32
4	1.031	.562	.500	1/4-28
5	1.219	.687	.593	5/16-24
6	1.562	.906	.812	3/8-24
7	1.750	1.062	.937	7/16-20
8	2.000	1.125	1.000	1/2-20
10	2.500	1.500	1.375	5/8-18
12	3.000	1.812	1.625	3/4-16